

Catalog Number	
Notes	Type

Bantam 2000 LED

Enclosed LED Low Bays



Bantam 2000 Enduralume®



Bantam 2000 Primalume®



Bantam 2000 Prismatic®



Bantam 2000 Prismack®



DesignLights Consortium® (DLC) qualified product. Not all versions of this product may be DLC qualified. Please check the DLC Qualified Products List at www.designlights.org to confirm which versions are qualified.

Description

More than a wise choice for saving energy, Bantam 2000 Series LED luminaires and available retrofit kit are also a wise choice for covering a broad range of low-bay applications with superior lighting.

Optics

- Prismatic borosilicate glass maintains highest levels of luminosity over time.
- Seven distributions utilizing enclosed optics available to maximize versatility in applications needing uplight or downlight.

Electrical

- 10kV / 10kA surge protection is standard.
- CRI, 70 and 80 is standard. See Color Temperature options.
- 3000K, 4000K or 5000K CCT available.

Mechanical

- Low-profile design provides clearance in applications with low ceiling heights.
- Aluminum housing withstands harsh environments.
- Retrofit kit available to upgrade existing Bantam 2000 HID units utilizing an enclosed optic.

Listings

- UL 1598 Listed for use in damp or wet locations up to 77°F (25°C) ambient temperature (see footnotes).
- IP65 rated (see footnotes).

Warranty

5-year limited warranty. Complete warranty terms located at: www.acuitybrands.com/CustomerResources/Terms_and_Conditions.aspx.

Actual performance may differ as a result of end-user environment and application.

All values are design or typical values, measured under laboratory conditions at 25 °C.

Typical Applications

- Parking garages
- Manufacturing
- Transportation
- Retail
- Mezzanines/canopies
- Stairwells

Dimensions: Inches (millimeters) unless otherwise noted.

Diameter: see Dimensional Data pages 2 & 3
 Height: see Dimensional Data pages 2 & 3
 Weight: see Dimensional Data pages 2 & 3

RETROFIT KIT ORDERING INFORMATION

Example: BARFK 5L 4K AS

Series	Lumens ¹	Color Temperature	Voltage
BARFK	5L 5000 nominal lumens	3K 3000K CCT (80 CRI) 4K 4000K CCT (70 CRI) 5K 5000K CCT (70 CRI)	AS Auto sensing (120V-277V)

FULL FIXTURE ORDERING INFORMATION

Example: BALED 5L 4K 24 P A F2

Series	Lumens ¹	Color Temperature	Voltage	Mounting	Optics
BALED	5L 5000 nominal lumens	3K 3000K CCT 4K 4000K CCT 5K 5000K CCT	AS Auto Sensing (120V-277V) 12 120V 20 208V 24 240V 27 277V	A Stanchion C Ceiling ² P Pendant W Wall	A Enduralume (2418) B Prismatic (4451-long & narrow) G Prismatic (4455-symmetric) K Primalume (6585-wide) L Primalume (6586-medium) U Prismack (6585-wide) Z Prismack (6586-medium)
Options					
CDP-L5-15-X	120V cord & plug ³	PF-105	Loop, 3/4" male ²	CDPW-L6-15-X	208V/240V cord & Daniel Woodhead watertite plug (includes PF-291) ⁸
CDP-L6-15-X	208V/240V cord & plug ³	PF-121	Safety hook, 3/4" male ²	CDPW-L7-15-X	277V cord & Daniel Woodhead watertite plug (includes PF-291) ⁸
CDP-L7-15-X	277V cord & plug ³	PF-129	Anti-rotational hook, 3/4" male ²	CDW-X	X ft cord (includes PF-291)
CD-X	X ft cord ⁴	PHCB	Powerhook cord for 120V-277V ⁷	ELB	Extra low brightness ⁹
F1	Single fusing ⁵	CDPW-L5-15-X	120V cord & Daniel Woodhead watertite plug (includes PF-291) ⁸	AO	Field adjustable lumen output module. 8 settings ¹⁰
F2	Double fusing ⁶				

For accessories and footnotes, see page 2.

Bantam 2000 LED

Enclosed LED Low Bays

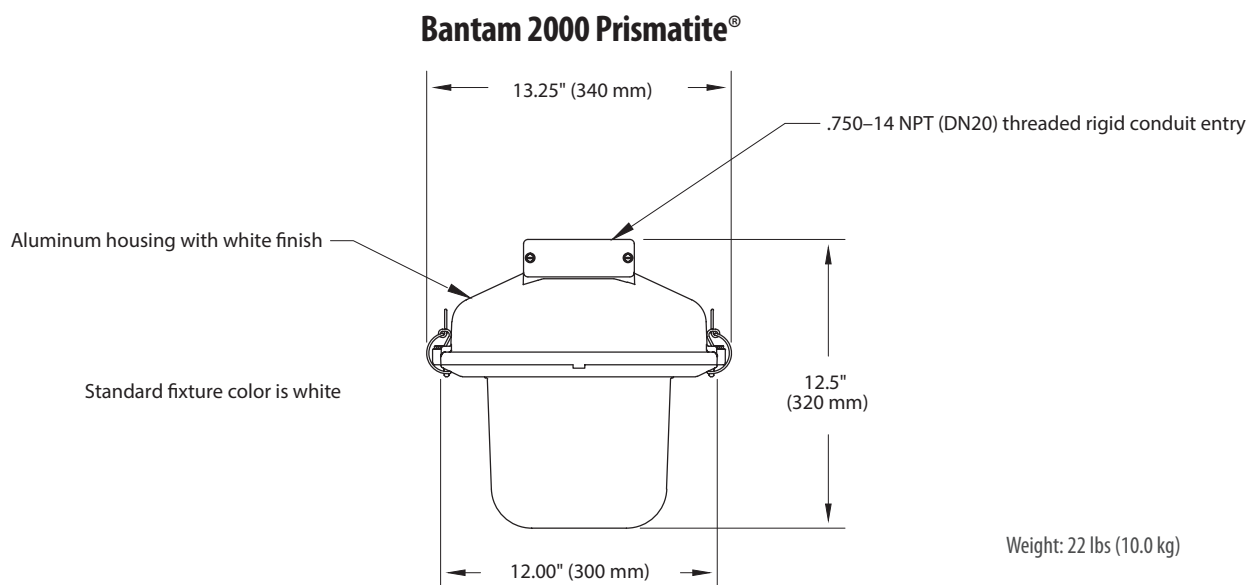
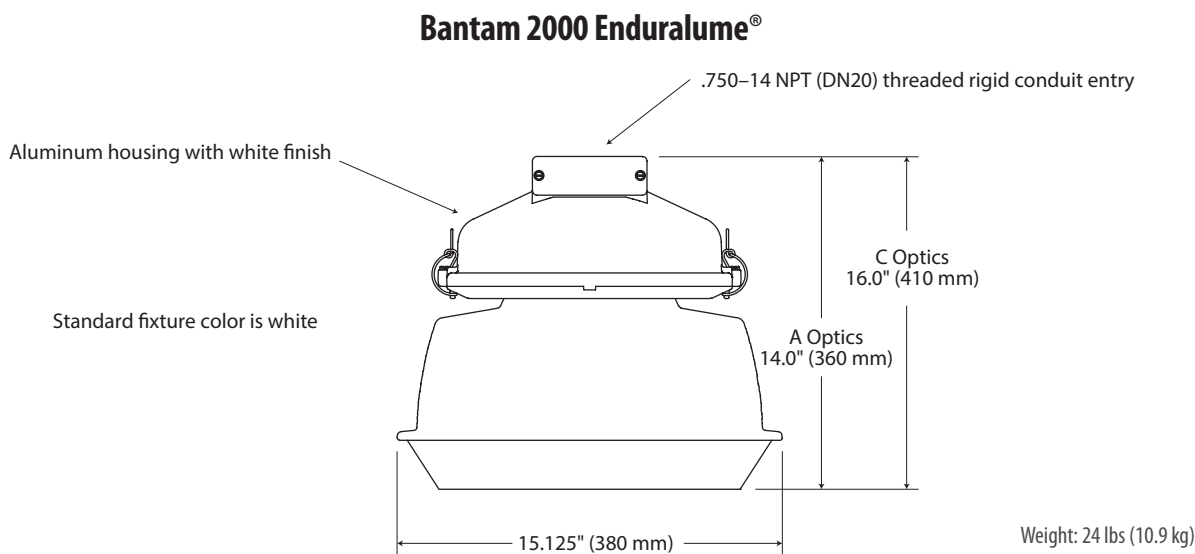
ORDERING INFORMATION (cont'd.)

Accessories: Order as separate catalog number.					
09190	Wireguard for Prismatic optics	LOOP456	Loop, 3/4" male ²	CDCW-L5-15-3	120V cord & Daniel Woodhead watertite connector (wet location)
WG-223-A	Wireguard for Enduralume optic	H00K455	Safety hook, 3/4" male ²	CDCW-L6-15-3	208V/240v cord & Daniel Woodhead watertite connector (wet location)
UPH-35-***-WH	Thru-way powerhook for 120V-277V ¹¹	PF-129-A	Anti-rotational hook, 3/4" male ²	CDCW-L7-15-3	277V cord & Daniel Woodhead watertite plug connector (wet location)
UPH-36-***-WH	Pendant powerhook for 120V-277V ¹¹	09189-*	Safety chain Kit ¹¹		
PF-116-A	Loop, female ²	0256	Wireguard for Primalume optic		
PF-122-A	Hook, safety, female ²				

Notes

- 1 Nominal lumens, see IES file for delivered lumens
- 2 Damp location, non-IP
- 3 Order PF also; Damp location, non-IP. Order PF also. X signifies feet of cord (3ft - 6ft is standard)
- 4 Order PF also; X signifies feet of cord (3ft - 6ft is standard). No plug
- 5 Specify voltage 12, 24, 27
- 6 Specify voltage 20, 24
- 7 Damp location. Includes PF-105-B, order UPH also
- 8 X signifies feet of cord (3ft - 6ft is standard)
- 9 Available with Prismpack optics only
- 10 Only available on retrofit kit, BARFK
- 11 *** = Voltage
- 12 * Signifies feet of chain (3ft is standard)

DIMENSIONAL DATA

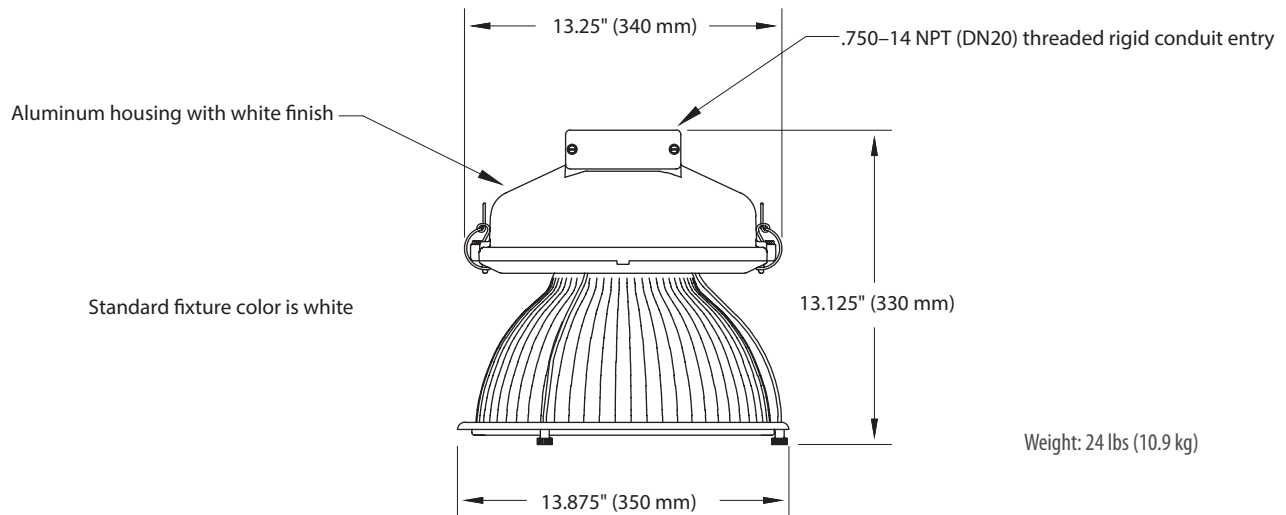


Bantam 2000 LED

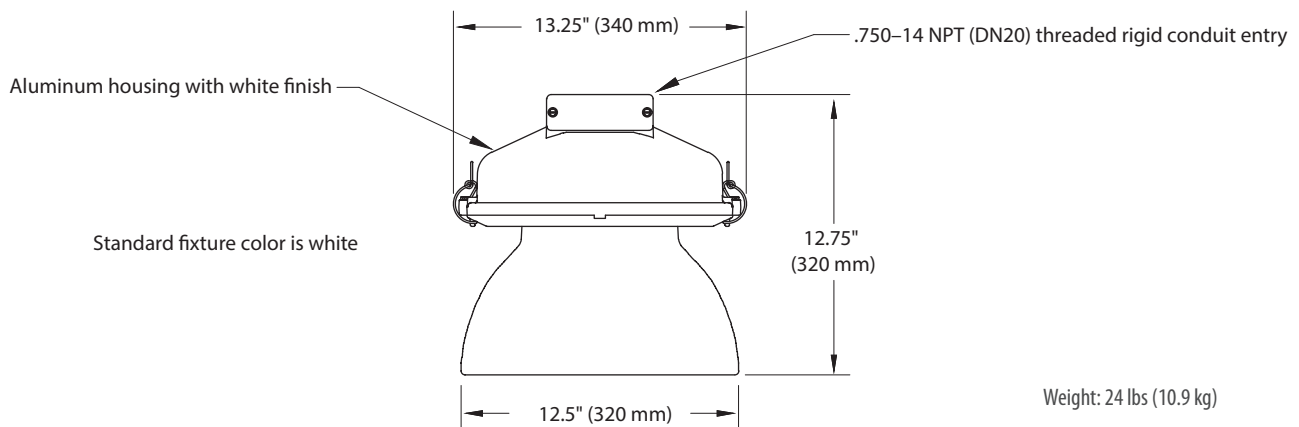
Enclosed LED Low Bays

DIMENSIONAL DATA (cont'd.)

Bantam 2000 Prismalume®

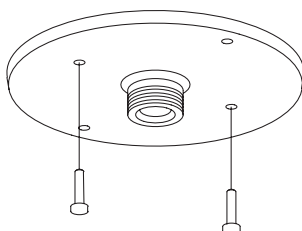


Bantam 2000 Prismpack®

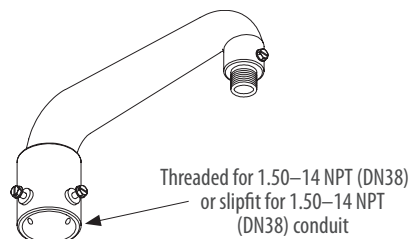


Bantam 2000 common mounting options

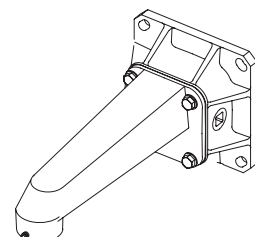
Ceiling Mount Components



Stanchion Assembly



Wall Bracket Assembly



Bantam 2000 LED

Enclosed LED Low Bays



OPERATIONAL DATA

Operating Characteristics

Package	Ambient Rating	Optic	Delivered Lumens 5000K CCT (70 CRI) @25°C ¹	Delivered Lumens 4000K CCT (70 CRI) @25°C ¹	Delivered Lumens 3000K CCT (80 CRI) @25°C ¹	Wattage @ 120V	LPW @ 5000K
BALED / BARFK 5L	-40°C to 25°C	A - Enduralume Glass Bottom	4923	4745	3998	62	79
BALED / BARFK 5L	-40°C to 25°C	B - Prismatic Long & Narrow	5833	5622	4737	62	94
BALED / BARFK 5L	-40°C to 25°C	G - Prismatic Symmetric	5688	5482	4619	62	92
BALED / BARFK 5L	-40°C to 25°C	K - Primalume Wide	5869	5656	4766	62	95
BALED / BARFK 5L	-40°C to 25°C	L - Primalume Medium	5713	5506	4639	62	92
BALED / BARFK 5L	-40°C to 25°C	U - Prismpack Wide	4782	4609	3883	62	77
BALED / BARFK 5L	-40°C to 25°C	Z - Prismpack Medium	4581	4415	3720	62	74

Projected Lumen Maintenance (TM-21)²

Package	0 Hours	15,000 Hours	30,000 Hours	45,000 Hours	60,000 Hours	100,000 Hours
BALED / BARFK 5L @ 25C	1.0	0.93	0.88	0.84	0.81	0.71

Notes

- 1 Absolute photometry calculated in accordance with IESNA LM-79-08
- 2 Calculated using data collected according to LM-80 and represents lumen maintenance of the LED package.